

# 3M POS Translator

## Installation Instructions

### Model and Description

78-9236-6387-2

### Description

The 3M POS (Point of Sale) Translator is a hardware/software interface between the point of sale system and the 3M™ Convenience Store Intercom System, Model C5000.

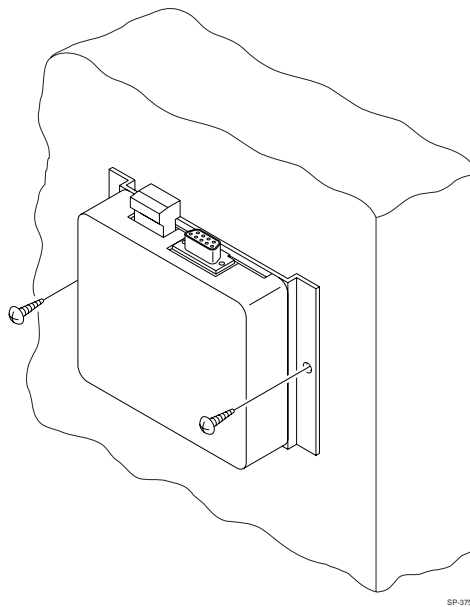
### Additional Materials Required:

- Screwdriver
- 2 Mounting screws (not provided) and appropriate anchors

### Procedures:

#### Mounting the POS Translator

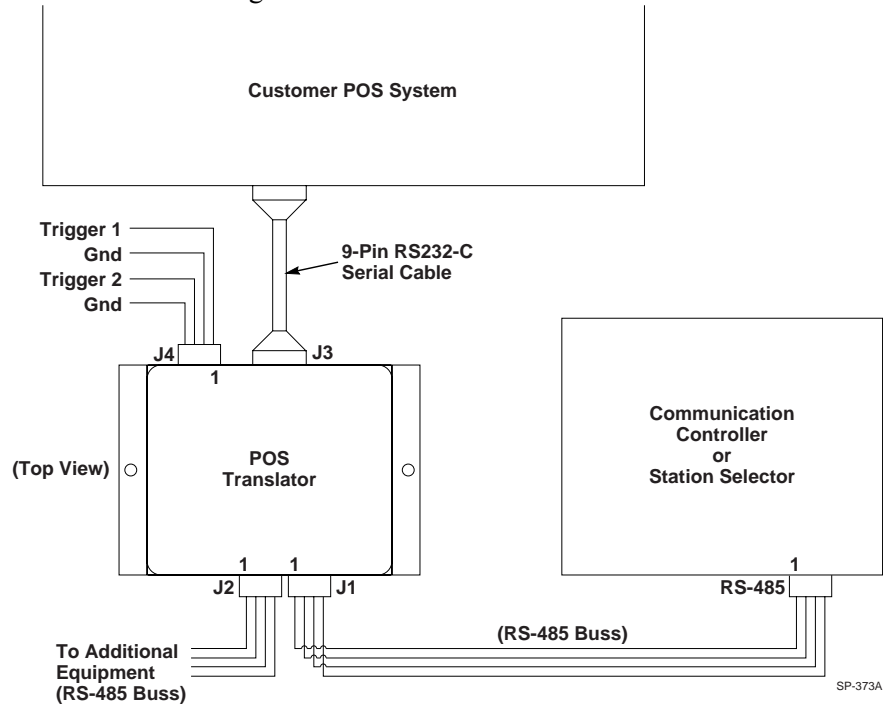
Use 2 mounting screws to mount the unit near other POS equipment, as shown in Figure 1.



**Figure 1. Mounting the POS Translator**

## Wiring the POS Translator

Wire the POS Translator as shown in Figure 2.

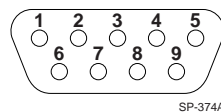


**Figure 2. Wiring the POS Translator**

*Note: J4 can be used to provide a trigger signal for other devices, such as alerts, etc. Trigger 1 and Trigger 2 are 5 Volt logic level triggers that must be pulled high to 5 Volts through a resistor (wired-OR configuration). These triggers change from high impedance state to ground when activated.*

## RS-232C Cable Pin Configuration:

The male end of the RS-232C cable is shown in Figure 3.



**Figure 3. RS-232C Cable Pins**

The functions of the RS-232C cable pins are described in Table 1.

**Table 1. RS-232C Cable Pin Functions**

PIN	FUNCTION	PIN	FUNCTION
1	DCD (Data Carrier Detect)	6	DSR (Data Set Ready)
2	TXD (Transmit Data)	7	RTS (Ready to Send)
3	RXD (Receive Data)	8	CTS (Clear to Send)
4	DTR (Data Terminal Ready)	9	RI (Ring Indicator)
5	Ground		

